

AFTER-MARKET SOLUTIONS FOR UNDERWATER PELLETIZING SYSTEMS.

- Die plates/heads
- Pelletizing blades/knives
- Blade holders
- Driving bushes
- CJTEK crossheads , etc...



At Maxwell, we take pride in our rich heritage of expertise and our well-established reputation for delivering quality products and services to our customers. Specializing in manufacturing of die plates, blades/knives, blade holders, and tap-driving bushes for underwater pelletizing systems, our dedicated design team and process engineers craft simulation-driven solutions tailored to the needs of Industries.

In addition, we offer refurbishment services for used die plates, enabling customers to reduce costs and enhance machine efficiency

With a skilled workforce and advanced machineries, our focus on quality, innovation, and service empowers clients to achieve operational excellence and long-term success.



Our Vision: To establish itself as the world leader in pelletizing die plates, setting new standards for excellence and innovation.



Our Mission: To deliver exceptional quality products with reliable delivery, ensuring we meet and exceed the expectations of our global customers.

“GUARANTEED SOLUTIONS”.

INDUSTRIES WE SERVE



PRODUCT RANGE

- Pelletizing die plates/heads
- Pelletizing blades/knives
- Blade holders/cutter hub
- Tapped driving bush
- Polyolefins pelletizing die plates (oil/steam heated)
- Polyolefins pelletizing blades/knives
- CJTEK crossheads for wires and cables
- Laser Scrapper Blade Holders
- Laser Filter Shaft Scrapper Blades
- Laser Filter Shaft
- Cutter Compactor Blades
- Laser Filter Discs
- Breaker Plates



DIE PLATE

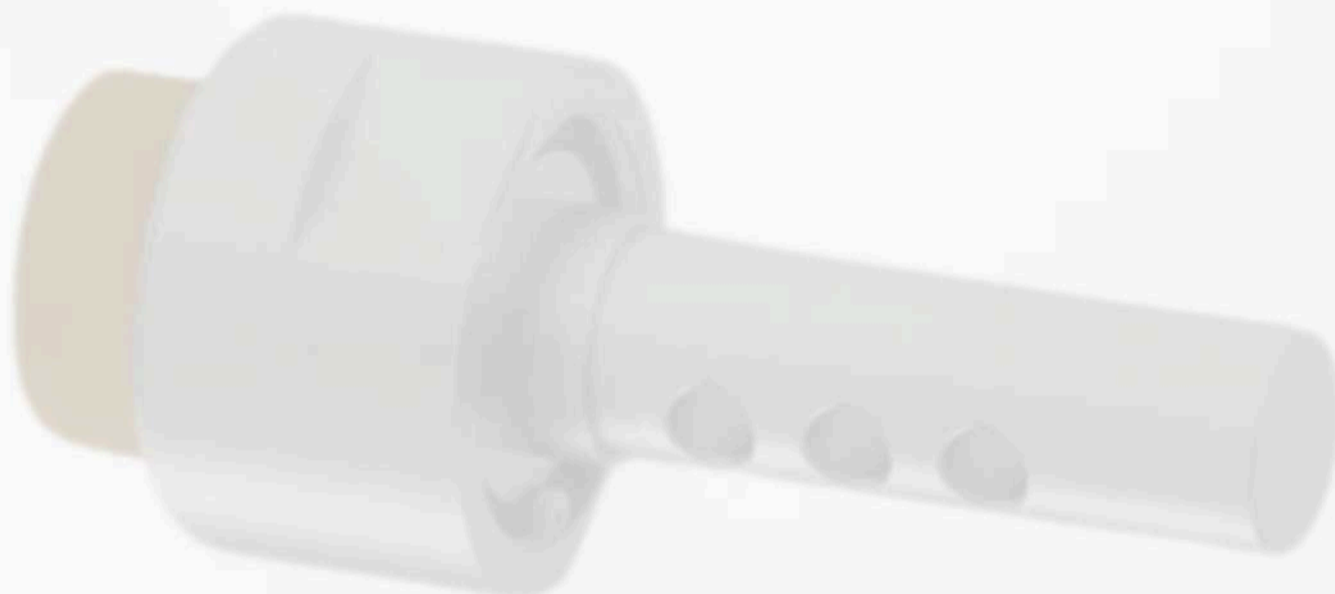
- Tungsten carbide inlays/nibs
- Titanium carbide (TC/TIC) inlays
- Tungsten carbide Ring
- Different metallurgies/insulations

BLADES

- Precision manufacturing: Our blades are engineered for exact cuts, maximizing efficiency, and ensuring consistent product quality.
- Extended lifespan: Superior materials ensure long-lasting performance, reducing downtime for blade changes.
- Customizable designs: We offer blades tailored to your machine and operational needs, guaranteeing the best fit and functionality.

BLADE HOLDER

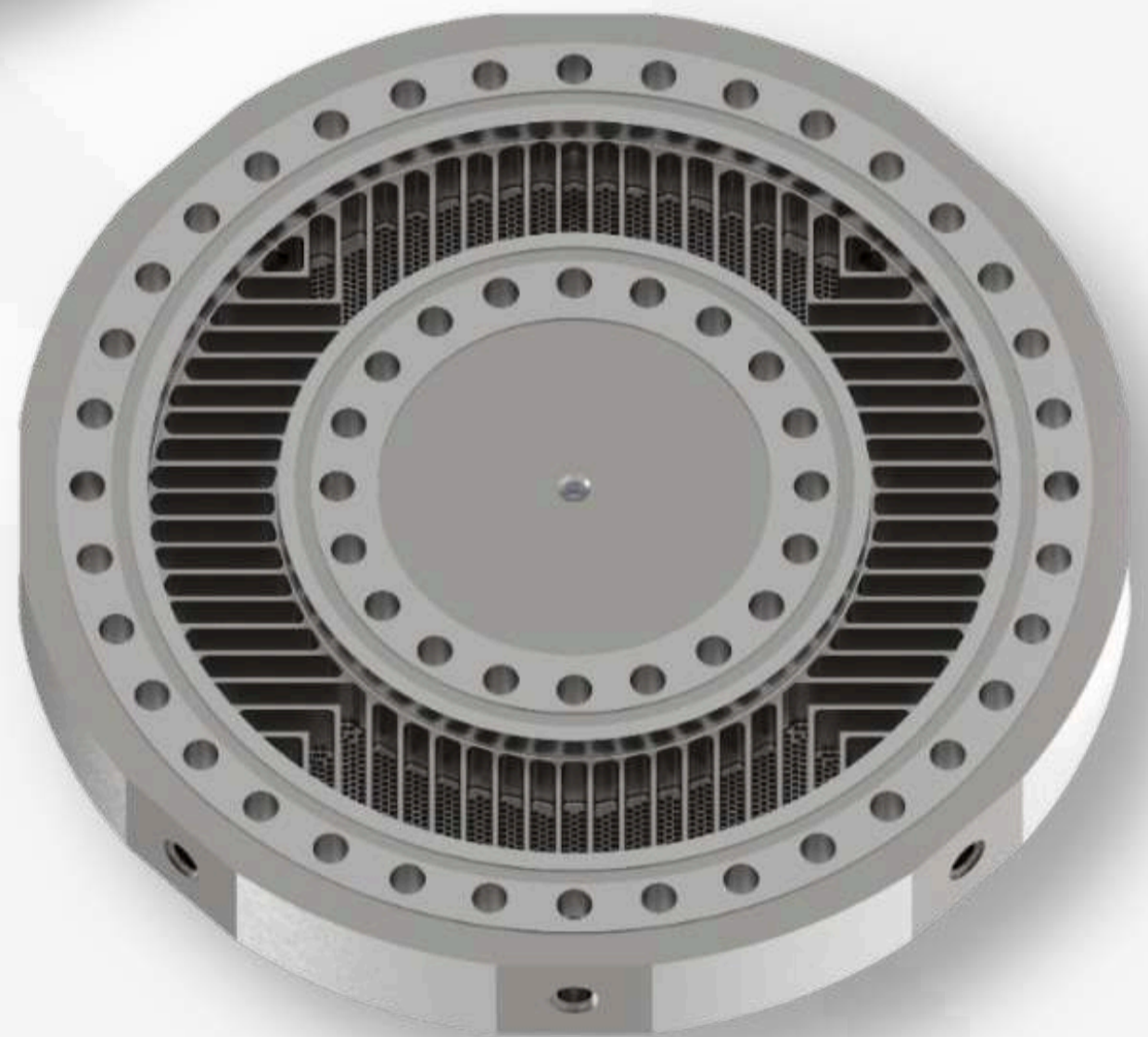
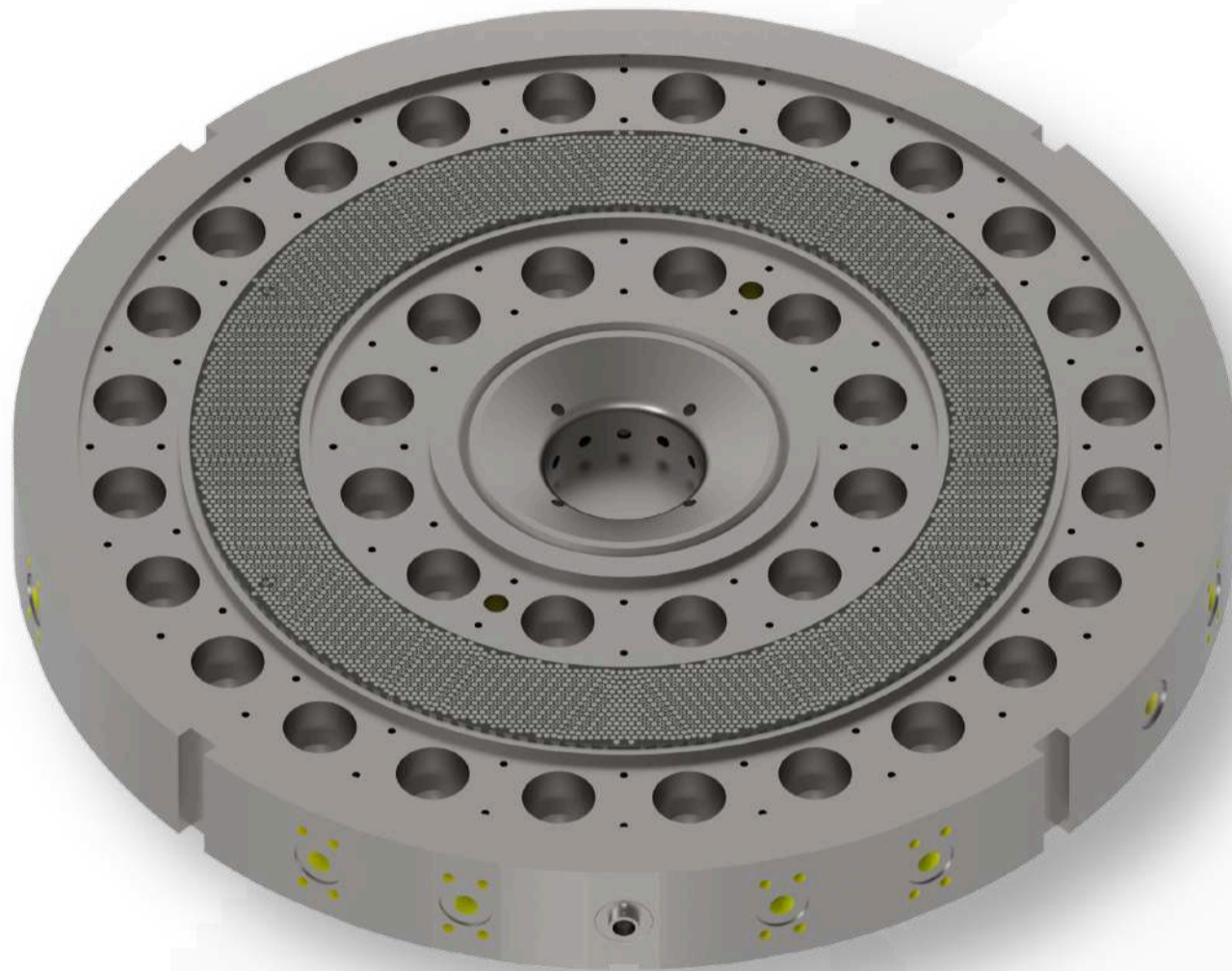
- Universal compatibility: A wide selection designed to fit any pelletizer brand, offering both straight and inclined configurations.
- Streamlined operations: Our blade holders are easy to install, facilitating smooth, uninterrupted production.
- Custom solutions: We provide custom-built blade holders tailored to your specifications to ensure the perfect match for your production line.



• A2000-Tapped driving bush

• AH4000-Tapped driving bush

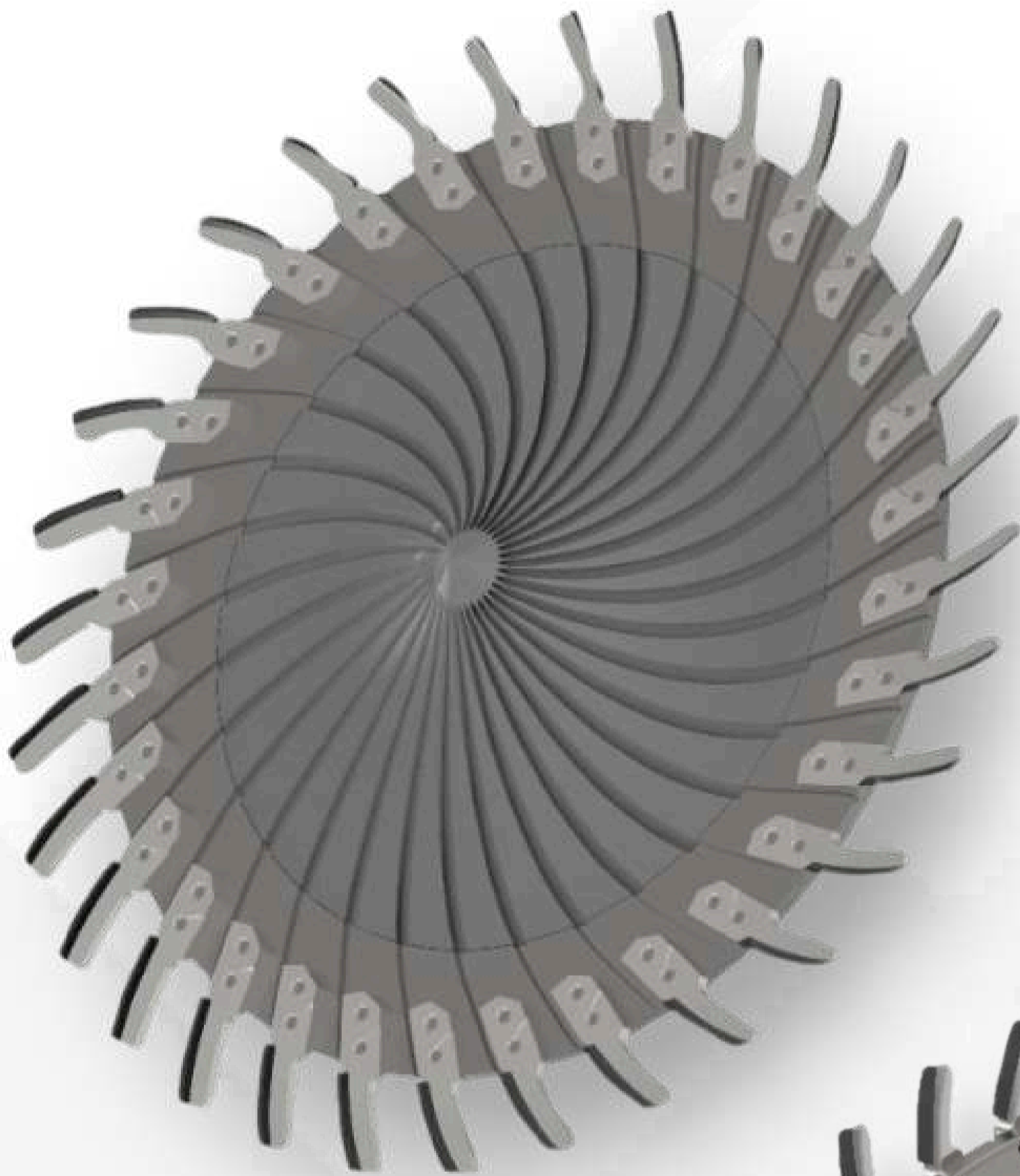
POLYOLEFINS PELLETIZING DIE PLATES (OIL/STEAM HEATED).



MAXWELL MANUFACTURES ALL TYPES OF DIE PLATES WITH VARIOUS HARD METAL SURFACES AS FOLLOWS-

- Titanium carbide (TIC) segments, brazed
- Titanium carbide (TIC) nibs/inlays
- Tungsten carbide (TC) nibs/inlays
- Special wear resistance nibs/inlays.

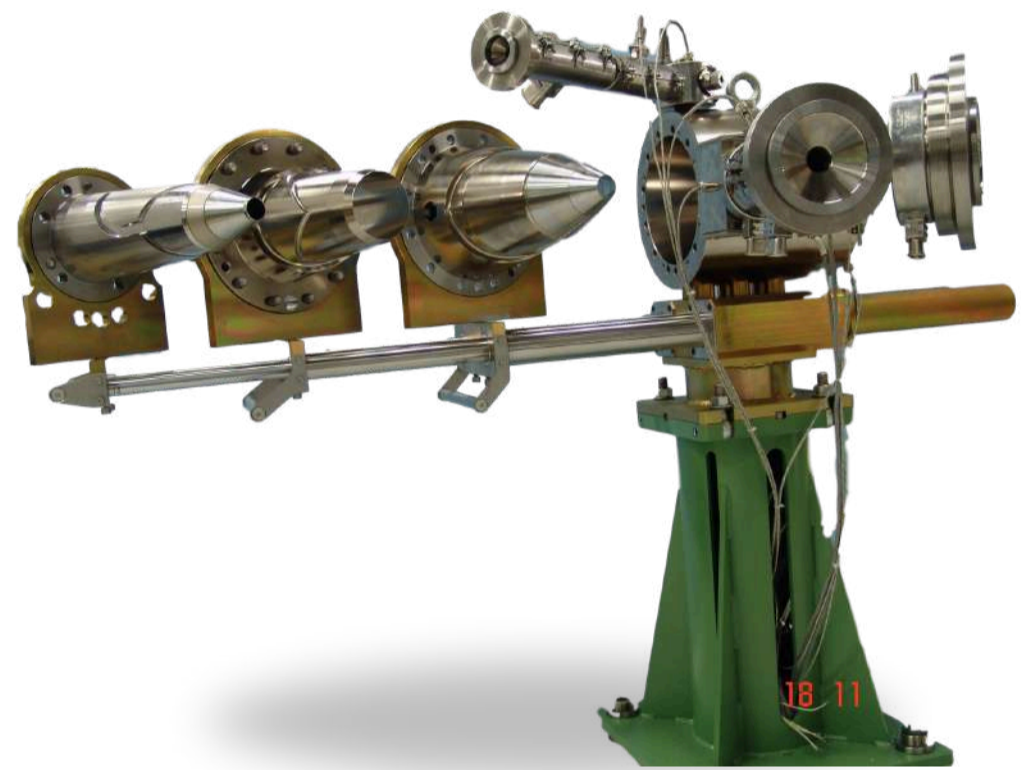
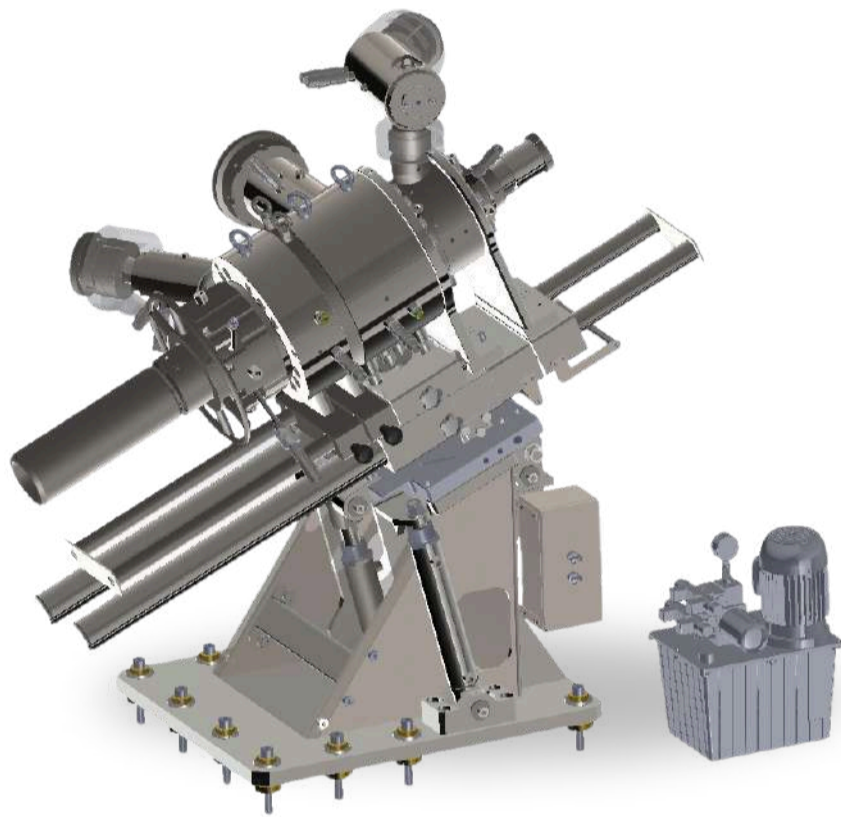
Maxwell manufactures various types of blades/knives for machines used in polyolefins pelletizing die plates, These blades/knives are Bi-Metal and solid designs that fit into various types of blade holders.



CJTEK SÀRL

CJTEK Cross Heads: Your one-stop shop for precision extrusion solutions!

Since 1999, CJTEK has been a leading manufacturer of crossheads for a wide range of applications, from micro extrusions and medical tubes to data/LAN/telecom cables and MV/HV sheathing. With over 1200 compounds in our simulation database and expertise in processing PVC, PE, HFFR, XLPE, and many more, we have the know-how to tackle your toughest extrusion challenges.



What sets CJTEK apart?



Experience: Over 1600 crossheads delivered to 380 customers in 65 countries!



Expertise: We have the data and the experience to optimize your extrusion process for any material.



Innovation: We're constantly developing new and improved crosshead designs to meet your evolving needs.



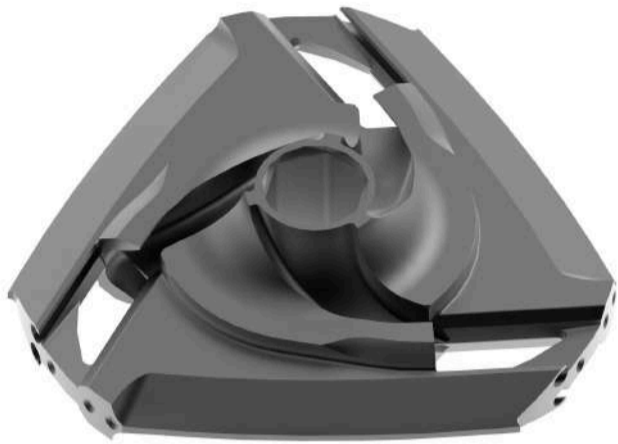
Support: We're here to help you every step of the way, from choosing the right crosshead to troubleshoot any issues you may encounter.

CJTEK is committed to helping you achieve:

- ✓ Perfect concentricity
- ✓ Increased production speeds
- ✓ Reduced waste and downtime
- ✓ A more profitable extrusion operation.

PARTS FOR RECYCLING

1



Laser Scrapper Blade Holders

- Our Laser Scrapper Blade Holders are engineered for high-performance applications, offering unmatched precision and durability. Designed to securely hold scraper blades in place, these holders ensure stable operation and consistent results, even in demanding industrial environments.

2



Laser Filter Scrapper Blades

- Laser Filter Scrapper Blades are designed for efficient removal of contaminants and buildup in filtration systems, ensuring uninterrupted material flow and consistent performance. Manufactured with high-grade materials and precision engineering, these blades offer excellent wear resistance and long service life.

3



Laser Filter Shaft

- The Laser Filter Shaft is a critical component engineered to provide smooth rotation and reliable support within laser filtration systems. Built with robust materials and precise machining, it ensures optimal alignment and durability under high-load conditions.

PARTS FOR RECYCLING

4



Breaker Plates

- Breaker Plates play a vital role in filtration and pressure stabilization within processing systems. Designed with precision-drilled holes, they support filter media while ensuring uniform material flow and pressure distribution. Manufactured from high-strength materials, breaker plates offer excellent resistance.

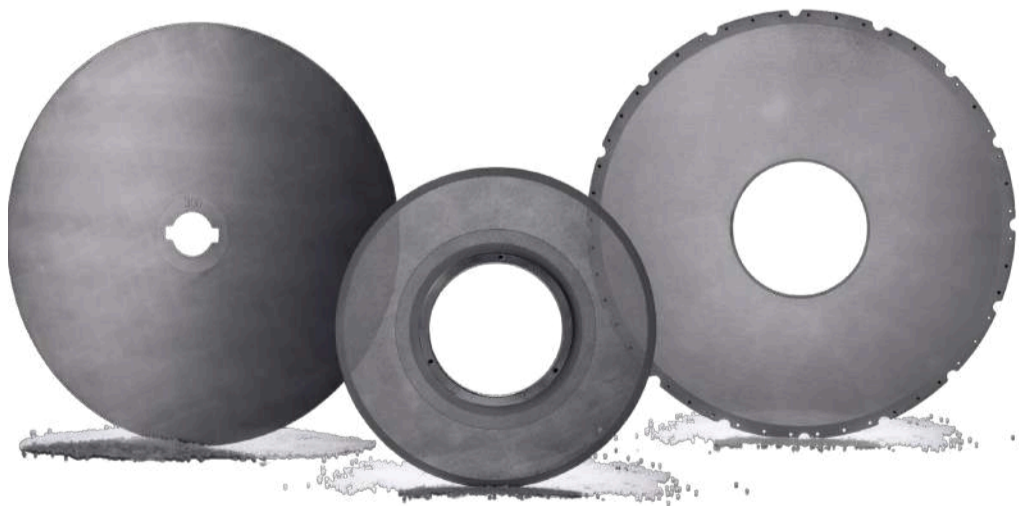
5



Cutter Compactor Blades

- Cutter Compactor Blades are specially designed for efficient cutting, mixing, and compacting of materials in recycling and processing units. Made from high-quality, wear-resistant materials, these blades deliver sharp performance and durability even under heavy-duty operations.

6



Laser Filter Discs

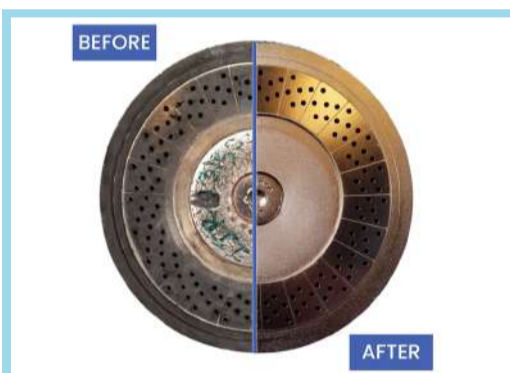
- Laser Filter Discs are precision-engineered components used in filtration systems to effectively separate contaminants from materials. With uniform perforation and high structural strength, these discs ensure optimal flow and filtration efficiency.

MAXWELL SERVICES



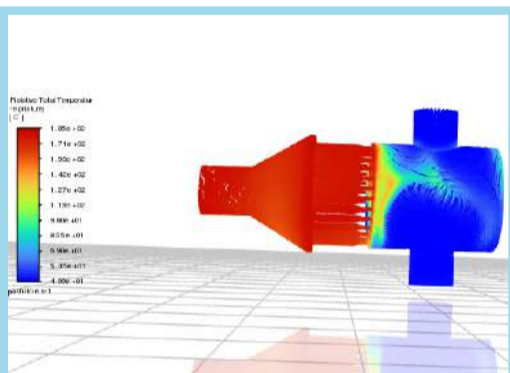
Onsite measurements/consultations

We offer on-site measurements & consultation services for your existing design.



Refurbishing/reconditioning

We offer refurbishing/reconditioning of used/worn die plates, and it can be used just like new ones.



Re-engineering & simulation

Our team of designers and process engineers can help you improve the process with a new design for the die plates.



Spare parts management and contracting

Together we can plan a spare parts demand-supply matrix to avoid a parts shortage.



Grinding services

Maxwell is equipped with multiple rotary surface grinding machines, up to 1600 mm diameter to serve customers with grinding surface facilities.



Documentation & logistics

At Maxwell, documentation is free of charge and confidential. We offer DAP/DDU, DDP, Incoterms based on customer needs.

COUNTRIES WE SERVE



India



Nigeria



Oman



Australia



Luxembourg



Switzerland



Austria



Morocco



Thailand



Belgium



Netherlands



UAE



Germany



Philippines



USA



Indonesia



Saudi Arabia



Vietnam



Israel



South Africa



R.O. Congo



Italy



Spain



Canada



Honduras



Chile



Bangladesh



Cameroon

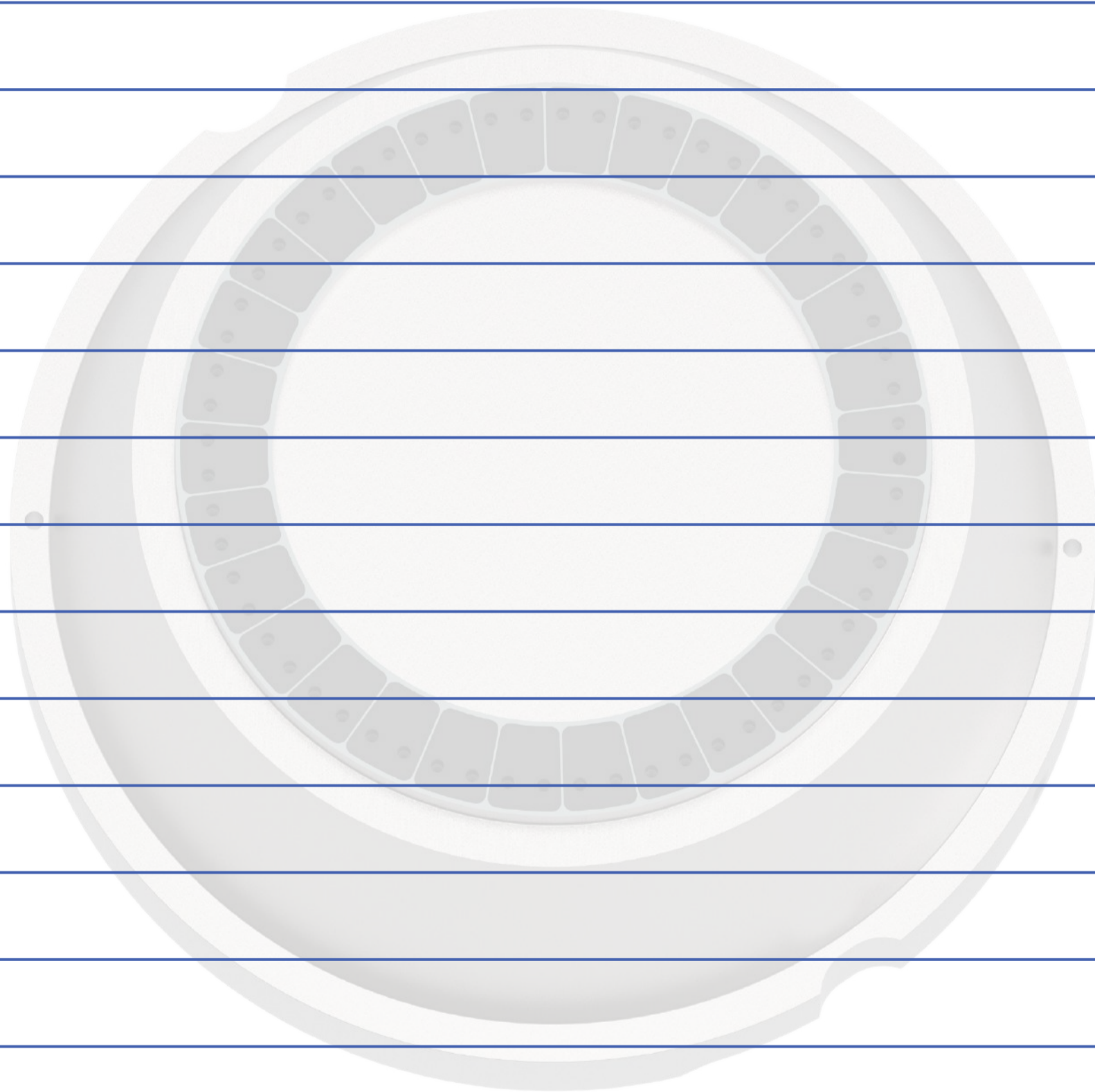


Brazil



Colombia

Notes





@maxwellengineeringsolutions



@Maxwell Engineering Solutions Ltd.

✉ exports@maxwells.in

☎ +91 9624091901

🌐 www.maxwells.in



Maxwell Engineering Solutions Limited

(Formerly known as Maxwell Engineering Solutions Pvt. Ltd.)

Plot no. 938-939-940 Gate-1, Waghodia GIDC Industrial Estate
Waghodia- 301760, Vadodara, Gujarat (INDIA)